



Technical Support

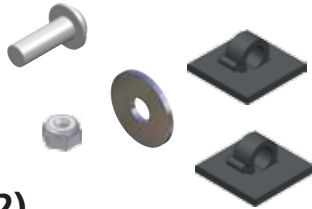


www.scottoiler.com technical@scottoiler.com +44(0)141 955 1100

SA-0073 Chain Guard Mount Adapter

Parts List:

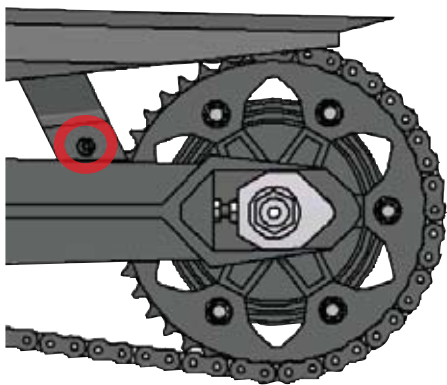
- M6 x 16 screw
- M6 washer
- M6 Nyloc nut
- Self adhesive clip (x2)



The parts enclosed allow mounting of a Scottoilier dispenser assembly as found in our vSystem and eSystem kits to models which have oversized rear wheel spindles which do not have paddock stand bobbin mounts.

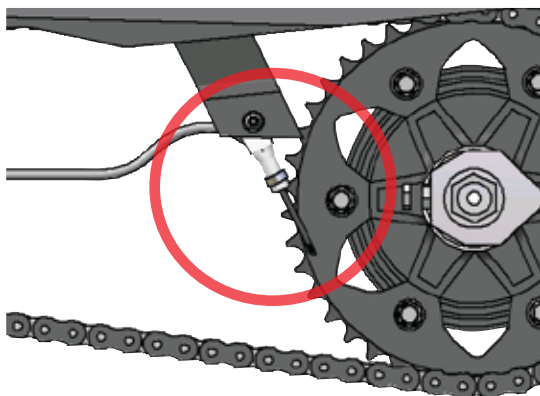
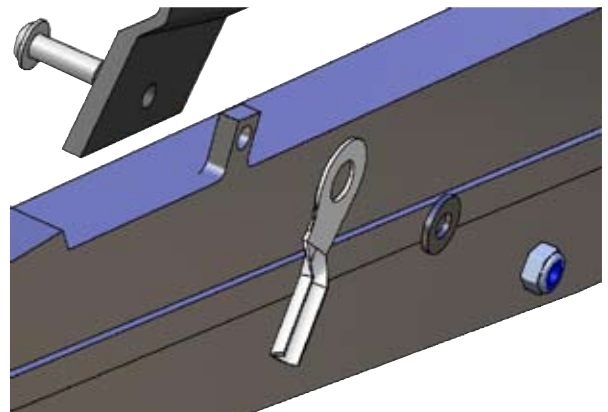
For model specific install guides with photographs see: www.scottoiler.com

Dispenser Assembly



1. Remove the rear chain guard mounting bolt. Generally it is not necessary to remove the chain guard itself.

2. Using the M6 x 16 screw, screw the chain guard into place. Fit the Dispenser Plate followed by the M6 washer and nyloc nut see section 3 for nib position before tightening to secure.



3. Secure the Dispenser Assembly to the Dispenser Plate by clamping around the black nylon sleeve using the Dispenser Plate Clip.

Position the nib between 8 & 9 o'clock on the outside face of the rear sprocket with the slash cut facing away from the sprocket, taking care to avoid the sprocket bolts.

4. The delivery tubing can be routed along the Swingarm and secured using the Self adhesive clips provided.

Hint: clean & degrease surface thoroughly to ensure clips will stick securely

